

Sector Carrier Class

Sector Antenna With CARRIER CLASS Performance

SEC-CC-2-14

SEC-CC-5-17

SEC-CC-5-20

SEC-CC-5-16-VVH

SEC-CC-5-16-HHV



Sector Carrier Class

2

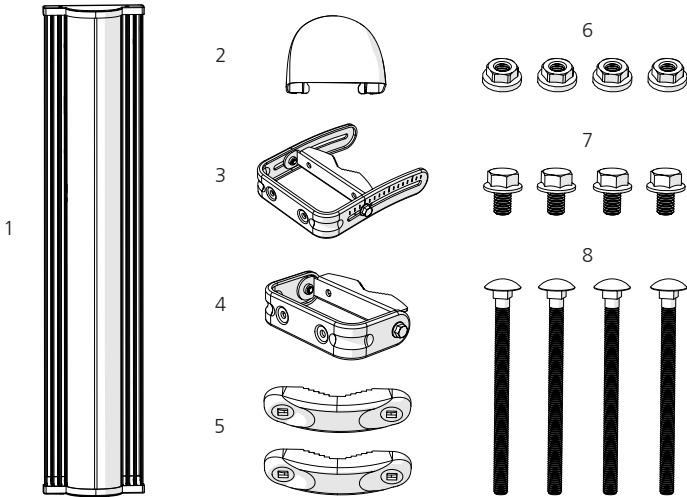
Overview

| | 2.4 GHz 14 dBi | 5 GHz 17 dBi | 5 GHz 20 dBi | 5 GHz 16 dBi VVH | 5 GHz 16 dBi HHV |
|-----------------------|----------------------|----------------------|----------------------|--|--|
| Product ID | SEC-CC-2-14 | SEC-CC-5-17 | SEC-CC-5-20 | SEC-CC-5-16-VVH | SEC-CC-5-16-HHV |
| Dimensions | 172x604x263 mm | 172x604x264 mm | 172x783x263 mm | 172x783x263 mm | 172x783x263 mm |
| Weight | 2.6 kg / 5.7 lbs | 2.6 kg / 5.7 lbs | 3 kg / 6.6 lbs | 3.1 kg / 6.8 lbs | 3 kg / 6.6 lbs |
| Frequency Range (MHz) | 2400 - 2485 | 5240 - 5850 | 5450 - 5850 | 5450 - 5850 | 5450 - 5850 |
| Gain | 13.8 Bi | 17.5 Bi | 19.7 Bi | V1 16.6 dBi V2 15.9 dBi H 16.6 dBi | H1 16.7 dBi H2 16 dBi V 16.7 dBi |
| Polarization | Dual Linear H + V | Dual Linear H + V | Dual Linear H + V | Tripple Linear V1+V2+H | Tripple Linear H1+H2+V |

Sector Carrier Class

3

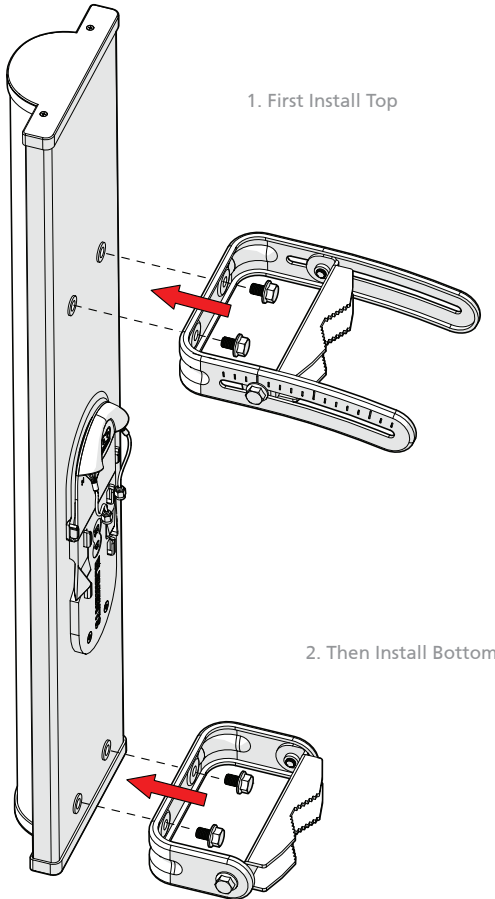
Package Contents



| Number | Description | Quantity |
|--------|------------------|----------|
| 1 | Sector Antenna | 1x |
| 2 | Cover | 1x |
| 3 | Bracket Top | 1x |
| 4 | Bracket Bottom | 1x |
| 5 | Pole Clamp | 2x |
| 6 | Nut M8 | 4x |
| 7 | M8 x 16mm Screw | 4x |
| 8 | M8 x 120mm Screw | 4x |

Sector Carrier Class

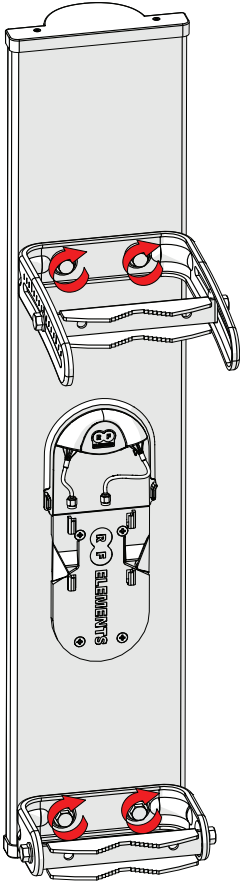
Installation Guide



Model SEC-CC-5-20 shown. Installation instructions are identical for other antenna models. Antenna dimensions and number of RF ports may differ.

Sector Carrier Class

Installation Guide



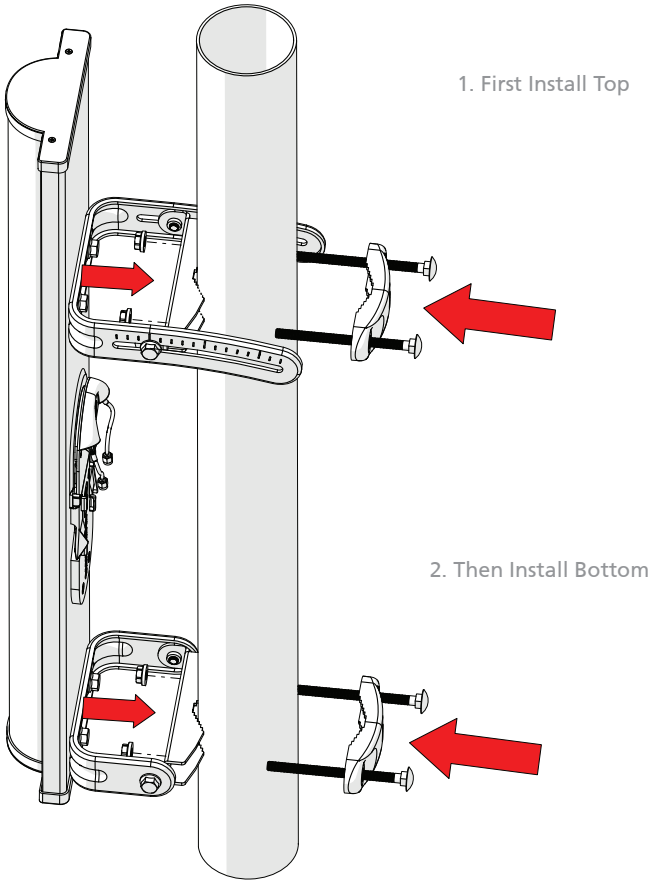
1. First Install Top

2. Then Install Bottom

Model SEC-CC-5-20 shown. Installation instructions are identical for other antenna models. Antenna dimensions and number of RF ports may differ.

Sector Carrier Class

Installation Guide

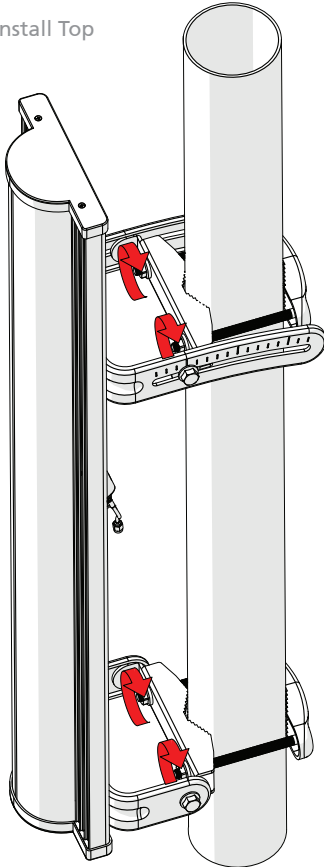


Model SEC-CC-5-20 shown. Installation instructions are identical for other antenna models. Antenna dimensions and number of RF ports may differ.

Sector Carrier Class

Installation Guide

1. First Install Top

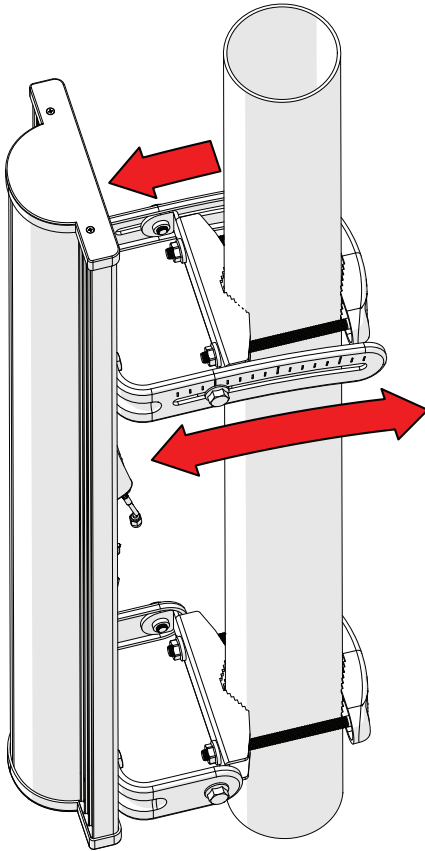


2. Then Install Bottom

Model SEC-CC-5-20 shown. Installation instructions are identical for other antenna models. Antenna dimensions and number of RF ports may differ.

Sector Carrier Class

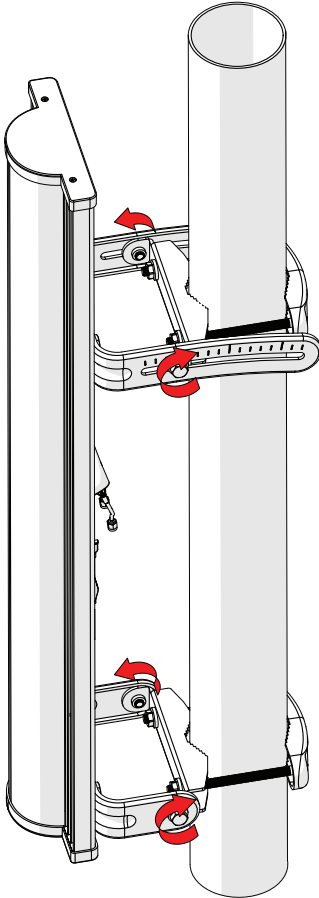
Installation Guide



Model SEC-CC-5-20 shown. Installation instructions are identical for other antenna models. Antenna dimensions and number of RF ports may differ.

Sector Carrier Class

Installation Guide



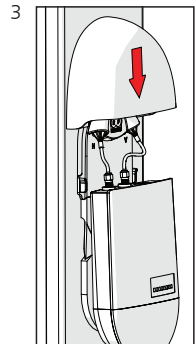
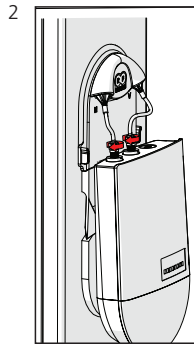
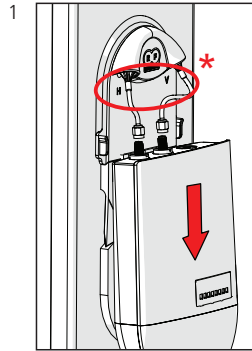
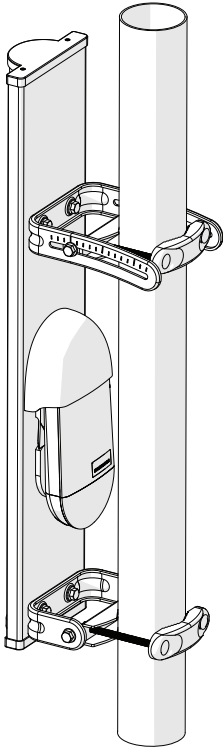
1. First Install Top

2. Then Install Bottom

Model SEC-CC-5-20 shown. Installation instructions are identical for other antenna models. Antenna dimensions and number of RF ports may differ.

Sector Carrier Class

Installation Guide



| | 2.4 GHz 14 dBi | 5 GHz 17 dBi | 5 GHz 20 dBi | 5 GHz 16 dBi VVH | 5 GHz 16 dBi HHV |
|------------------------|----------------|----------------|----------------|--------------------|--------------------|
| Horizontal Polrization | Antenna Port H | Antenna Port H | Antenna Port H | Antenna Port H | Antenna Port H1+H2 |
| Vertical Polrization | Antenna Port V | Antenna Port V | Antenna Port V | Antenna Port V1+V2 | Antenna Port V |

Model SEC-CC-5-20 shown. Installation instructions are identical for other antenna models. Antenna dimensions and number of RF ports may differ.

Compatible Devices:

RF elements[®]

StationBox[®] S,
StationBox[®] S CARRIER CLASS,
RockShield[™]

Ubiquiti Networks[™]

Rocket[™] M5,
Rocket[™] M5 Titanium
Rocket[™] 5ac
Rocket[™] 5ac Prism

Cambium Networks[™]

ePMP[™] 1000 Connectorized Radio*
ePMP 2000 Access Point*

MikroTik[™]

BaseBox 5**
NetBox 5**
NetMetal 5**

*with EasyBracket[™] for ePMP[™]

**with EasyBracket[™] 912

RF elements®, StationBox®, NanoBracket™ and RockShield™ are trademarks of RF elements s.r.o., Humenne, Slovakia.

Ubiquiti Networks™ and Rocket™ are trademarks of Ubiquiti Networks, Inc., San Jose, California.

Cambium Networks™ and ePMP™ are trademarks of Cambium Networks, Ltd., Rolling Meadows, Illinois.

MikroTik™ is trademark of MikroTik, Aizkraukles iela 23, Riga, LV-1006 Latvia.

All rights of respective trademark owners reserved.



RF elements s.r.o.
Phone: +421 2 3260 3711
info@rfelements.com
www.rfelements.com