



Parabolic antenna JRMA - 650 -10/11

Antenna JRMA – 650 – 10/11 is designed for microwave links at the frequency bands 10 and 11 GHz. Precise performance is complying with standard ETSI EN 302-217-4-2 class 2. Whole antenna system with bracket JDMW-900 has extreme wind stability.

Electrical parameters:

Frequency range	10.1 – 11.7 GHz
Gain – Low band	34.1 ± 0.5 dBi
Gain – High band	35.5 ± 0.5 dBi
Front to back ratio	≥ 56 dB
Beamwidth_{-3 dB}	3.4° (low band) 2.9° (high band)
Return loss (VSWR)	≥ 18 dB (≤ 1,3)
Polarization	Vertical / Horizontal
ETSI standard	EN 302-217-4-2 v1.5.1 Class 2

Mechanical parameters:

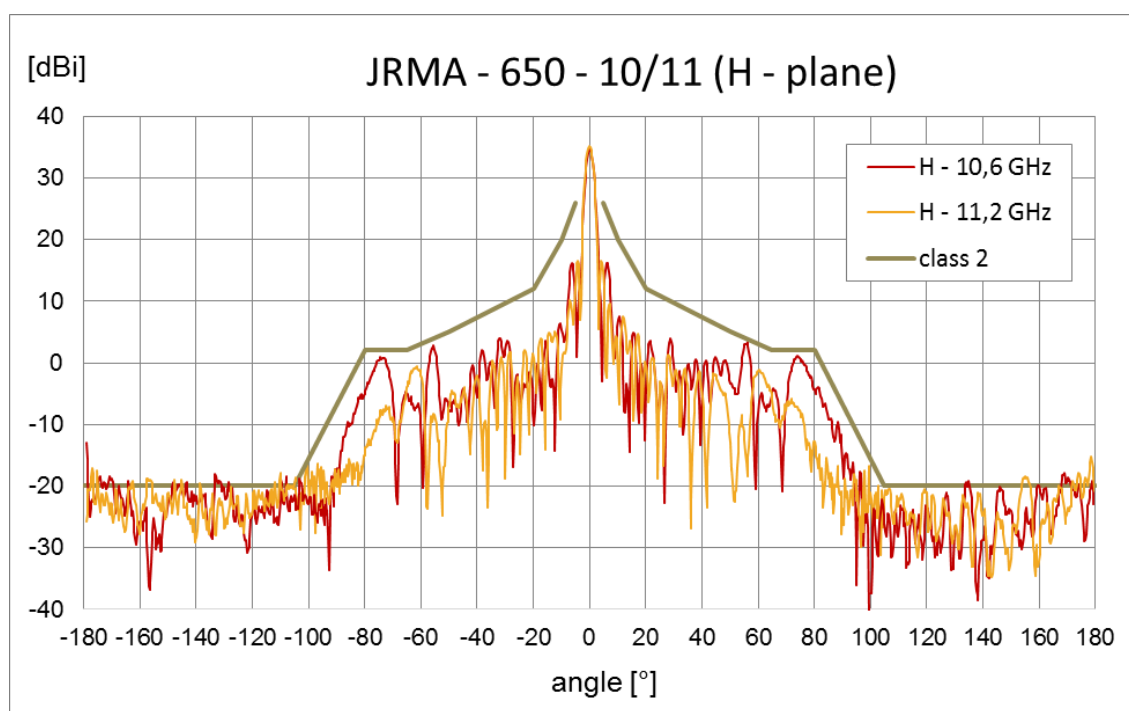
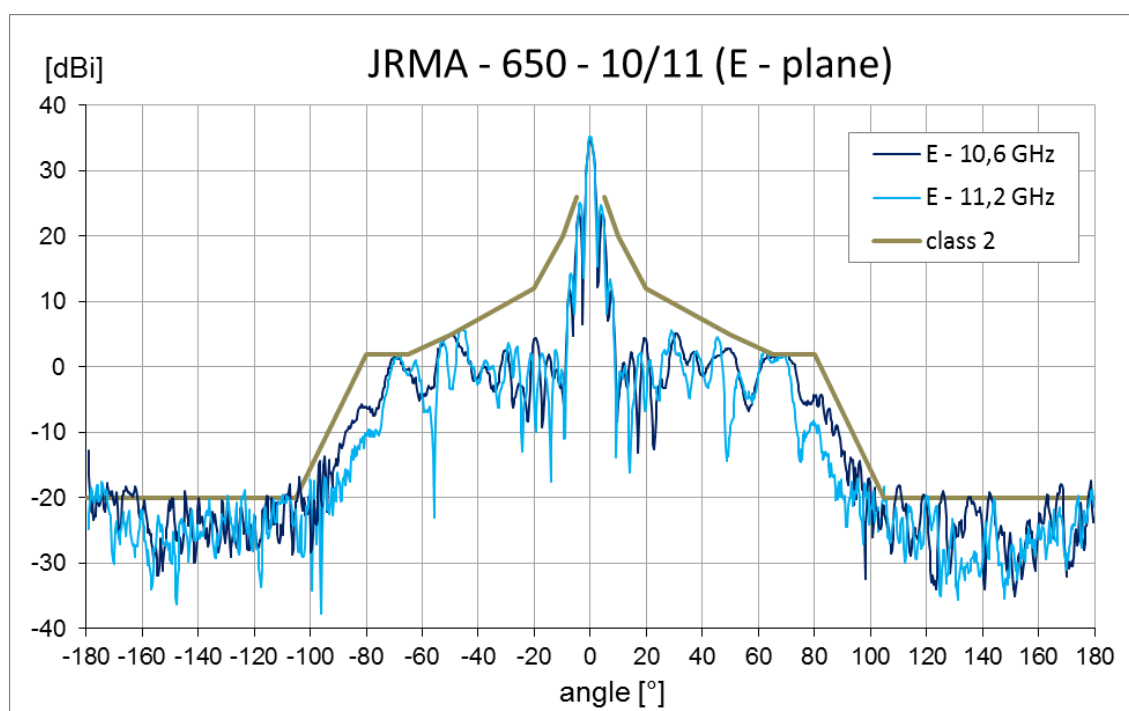
Parabola	∅ 650 mm, Aluminium alloy
Cover	UV steady plastic ABS
Input / output	Circle waveguide 19 mm
Installation for mast	∅ 40 - 120 mm
Operating wind load	180 km/h
Survival wind load	240 km/h
Weight of antenna	7.2 kg (15.87 lbs.)
of bracket	3.5 kg (7.7 lbs.)
Shipping dimensions	790 mm x 790 mm x 515 mm

The antenna is supplied together with a bracket that allows easy mounting on a mast. Bracket can be installed separately on the mast. Subsequently, you can simply hang up the antenna with microwave unit into it. We recommend mounting on the mast with minimal ∅ 50 mm in the areas with the

Parabolic antenna JRMA - 650 - 10/11

occurrence of the adverse weather conditions. Bracket allows fine setting elevation (of gradient) and azimuth $\pm 20^\circ$. It is possible to mount to right and left side.

Measurements of radiation pattern:

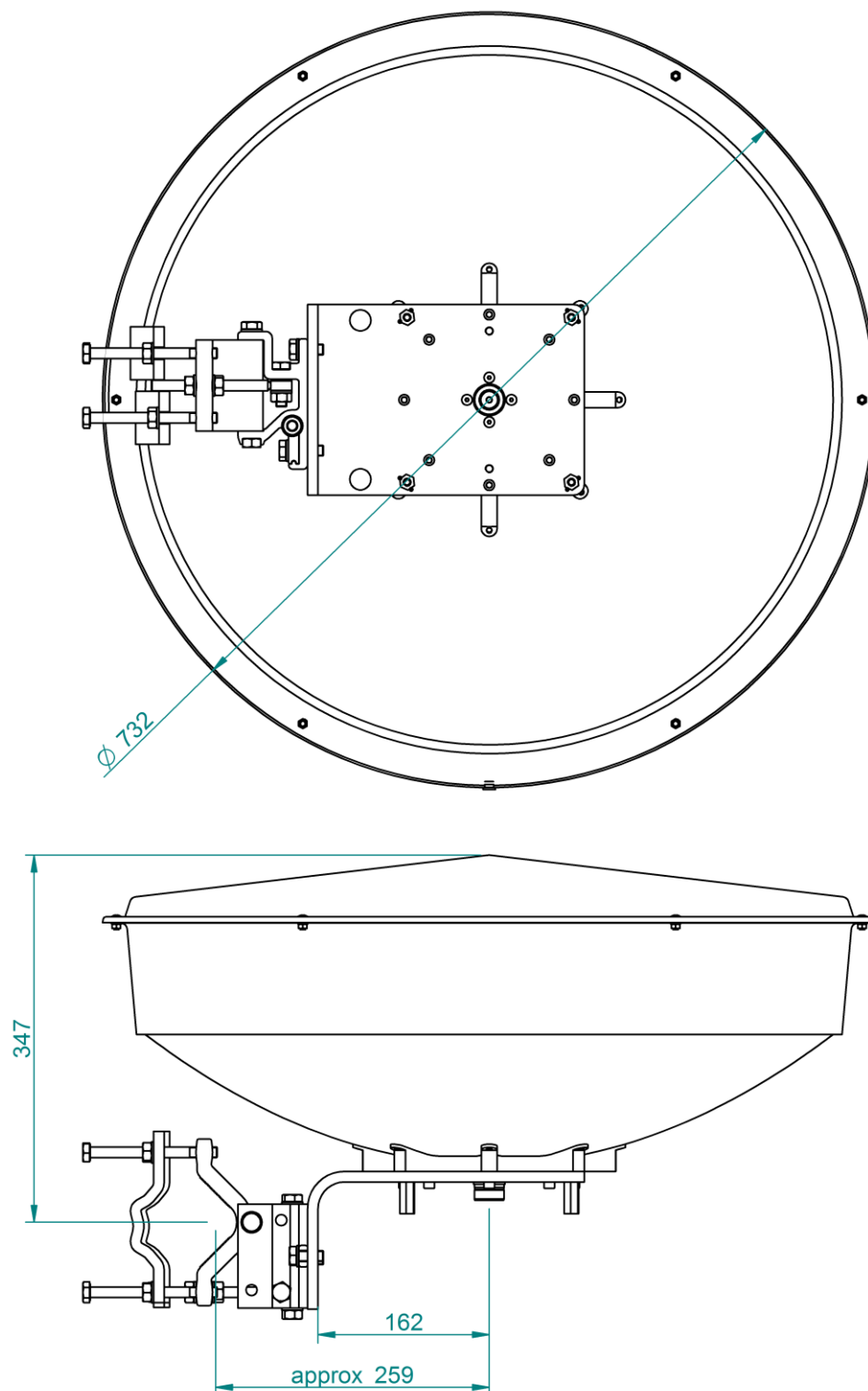




www.jirous.com

Parabolic antenna JRMA - 650 -10/11

Outline:

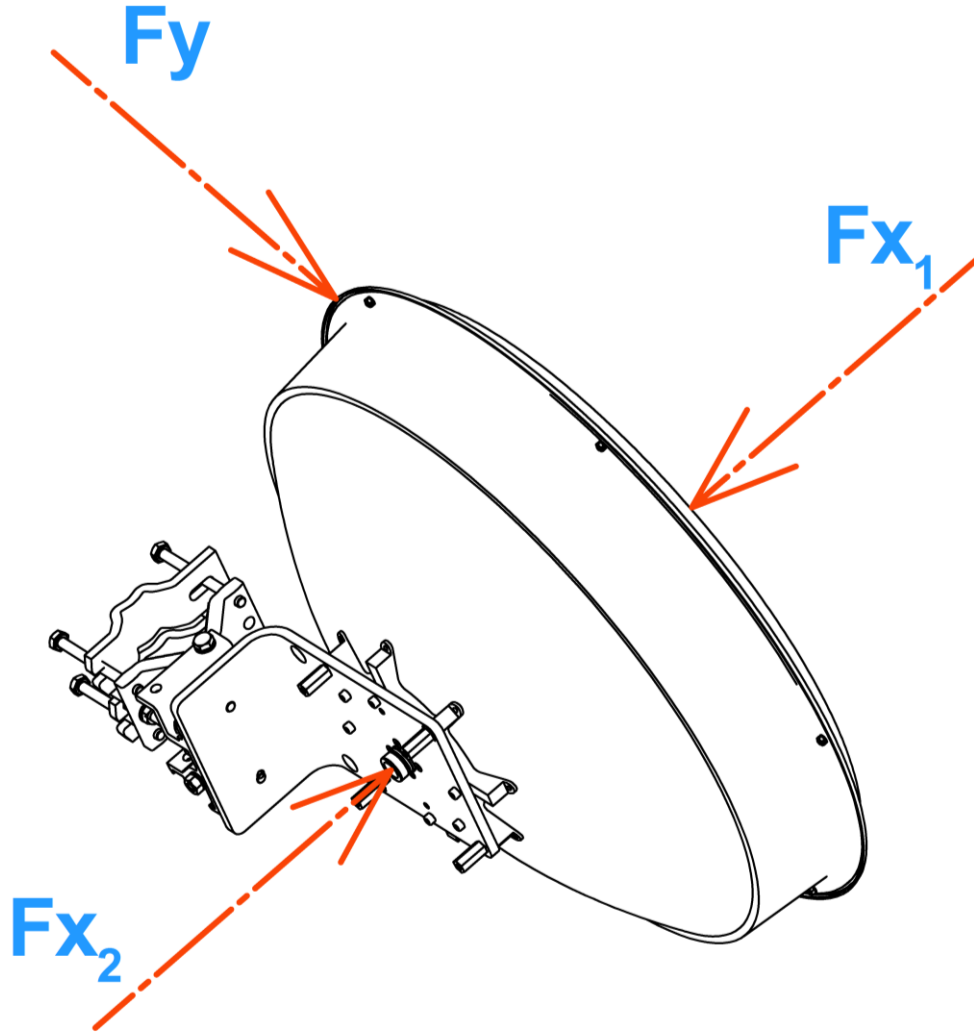


Contact:

info@jirous.com

Parabolic antenna JRMA - 650 -10/11

Wind loading:



Wind Loading at 200km/h (125 mph)		
Direction	Force [N]	Force [lbf]
Fx1	797	180
Fx2	562	126
Fy	46	10