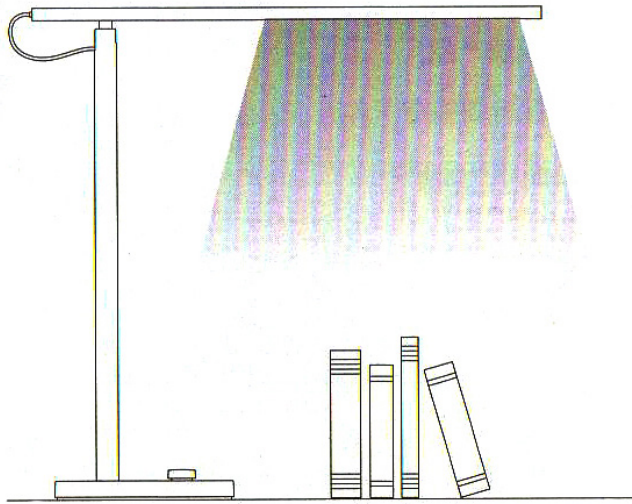


Mi Smart LED Desk Lamp



Thank you for choosing Mi Smart LED Desk Lamp. This lamp uses a special optical design, with the result that we get a natural and uniform illumination.

Main specifications

Model: MJTD01YL

Temperature range: -10 - +40C

Moisture resistance: 0%-85% RH

Power: 12V --- 0.5A

Rated input voltage: 100-240V – 50/60 Hz 0.2A

Luminance power: 6W (42 LED x 0.15W/LED)

Color temperature range: 2700K-6500K

Luminance: 300 lm

Lifetime: est. 25 000 hrs.

Power factor: 0.4

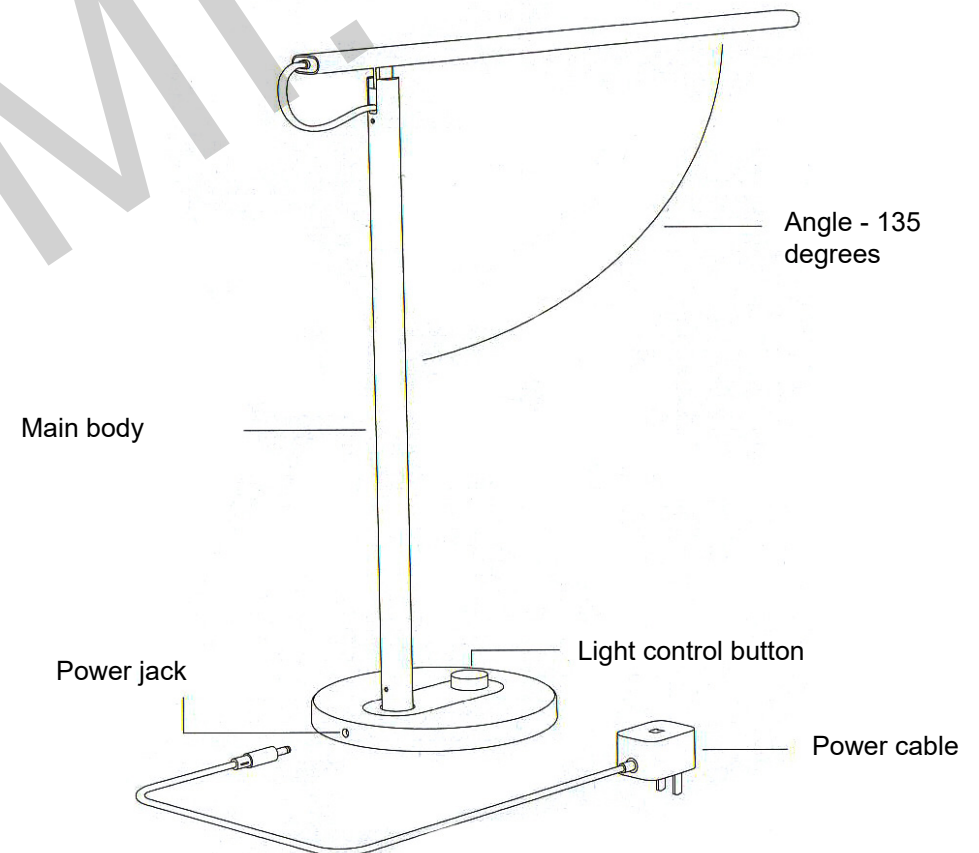
Supporting: Android & iOS

Type of connection: Wi-Fi IEEE 802.11 b/g/n 2/4GHz

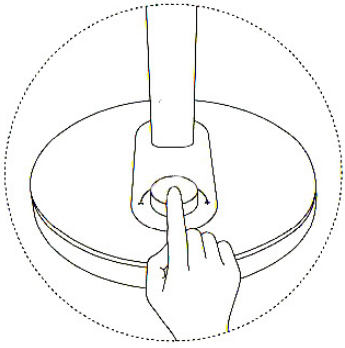
Step by step installation

01 Installation

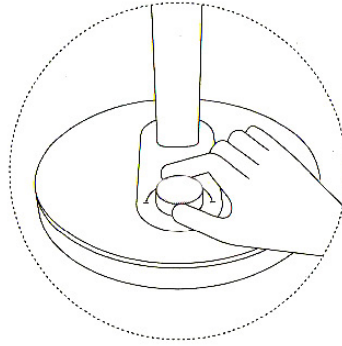
1. Remove the lamp from packaging, connect a power cable to power supply.
2. Press a control button.



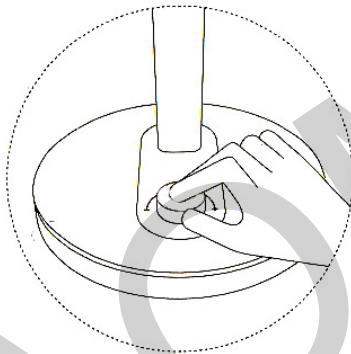
02 Using



Click on light control button to turn on / off the lamp.



Turn light control button to select a brightness of light.



Press and rotate light control button to select desired color temperature.

03 Smart controls

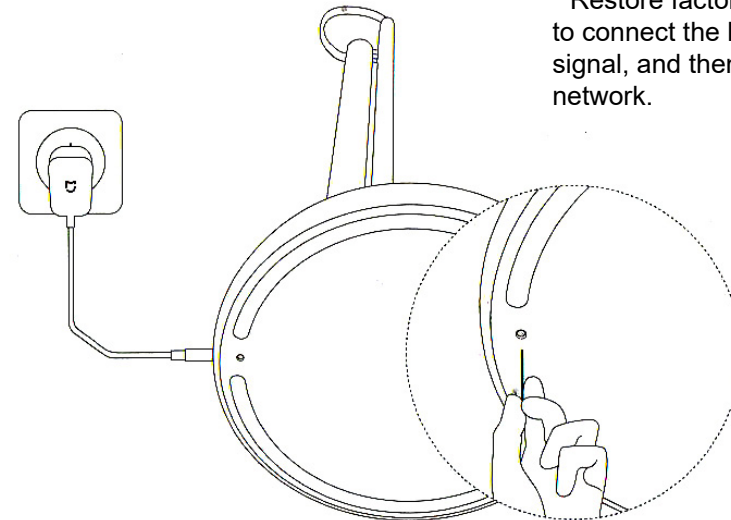
1. To set «Mi Smart LED Desk Lamp» APP, scan QR-code, or search and download it at APP Store.
2. Turn on the lamp, open the APP, following application, make a necessary adjustment.



* Please ensure affordable and stable Wifi signal.

Reset to factory default settings

Reset button (RESET) is under the lamp stand. Connect the lamp to power supply, use a thin object to press and hold a reset button for 5 seconds. When light starts flashing, release a reset button. After 5 seconds, the lamp will turn off, indicating a successful recovery of a factory default settings.



* Restore factory settings in order to connect the lamp to a new Wifi signal, and then re-connect to network.

Features

Eye protection
Brightness control
Adjusting a color temperature
Focus mode
Mode change

Lamp Off Timer
Delay lamp off
Remote control from
smartphone
Firmware Update

Warranty

Warranty service is carried out in accordance with the law on «consumer rights» and the «Law on the quality of products.» The warranty service includes:

1. Within 7 days from the date of purchase, in case of a problem from the «List of faults», Xiaomi service center determines the cause of the problem, then you can choose a free replacement product or a refund.
2. Within 8-15 days of purchase, in case of a problem of «fault list» Xiaomi service center defines the problem, then you choose a free replacement or repair of the goods.
3. Within 12 months from the date of purchase, in case of a problem from the «List of faults», Xiaomi service center defines the problem, then you are given a free repair.

Terms that are not included in a warranty service

1. Completion of service, falling, neglect, abuse, liquid ingress, an accident, if torn or slipped label and labeling devices;
2. The warranty period has expired;
3. Damage caused by force majeure;
4. Failures, which do not correspond to Xiaomi center service «List of faults»;
5. Failure of the device or its components from «Fault list», which arose in connection with a human factor, and which interfere with normal operation. Failures that result from use of lamps with outsiders adapters with wrong rated voltage in an inappropriate setting.

List of faults

Name of faults	
Mi Smart LED Desk Lamp	The lamp is not lit
	A smartphone can't find the Lamp
	Problems with a light control button
	Problems with a reset button
Adapter	Problems with power

Cautions

1. Before using the lamp, make sure that voltage in the electrical supply corresponds to voltage of the device. Incorrect voltage can cause damage to the lamp or cause an accident.
2. LED module can not be replaced, do not disassemble the device by yourself.
3. In operation, the lamp produces heat. Please make room ventilation for better heat dissipation.
4. Do not use extraneous adapter, otherwise it may damage the device or cause an accident.

The presence of toxic and hazardous substances

Part	Pb PBDE	Hg	Cd	Cr6+	PBB	PBDE
Body	0	0	0	0	0	0
Adapter	0	0	0	0	0	0
Package	0	0	0	0	0	0

0: toxic and harmful substances in all components of the device are contained in an amount below limit value according to SJ / T11363-2006 «limit requirement for toxic and hazardous substances in products.»

X: indicates the presence of toxic and harmful substances, at least one of components of this product in excess of limit value, according to SJ / T11363-2006 «Requirements limiting a presence of toxic and hazardous substances in products.»