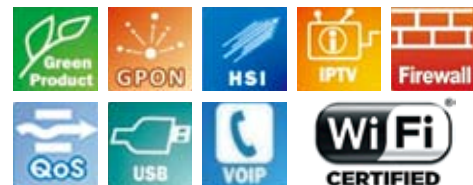


ZXHN F660

Powerful GPON Gateway for Multi-play Services

The F660 is a high-end home gateway in ZTE FTTH solution. By using the GPON technology, ultra-broadband access is provided for home and SOHO users. The F660 provides two phone ports, four GE ports, one USB port, and one Wi-Fi port. The F660 features high-performance forwarding capabilities to ensure excellent experience with VoIP, Internet and HD video services.



Highlights

- **Superior Wireless 11n Transmission Performance**

Adopting advanced 11n techniques including MIMO and channel bound, the F660 creates a superior wireless performance. With data rates up to 300Mbps, data transmission within the LAN becomes more efficient in high bandwidth applications.

- **Comprehensive VoIP Services**

The F660 offers VoIP(Voice over IP) service via two FXS ports. The user may have up to two phone numbers, one private and one public, when two VoIP accounts are opened. It is suitable for SOHO application.

- **Mature IPv6 Capability**

With support for IPv4/IPv6 Dual Stack and DS-Lite, the F660 helps operators and end users to achieve future-proof network with smooth evolution.

- **Advanced Content Sharing: DLNA Media Server**

The F660 can act as a DLNA Digital Media Server(DMS). Any DLNA Digital Media Player(DMP) connected to the network, could find and play all the media contents including video, music and photos on the storage connected to the USB ports on F660.

- **Multiple USB Functions**

Its USB port can be connected with USB HDD, Flash Disk or printers to act as file server and print server so that it can easily support configuration backup and restore, file sharing and network shared printing. It can also provide data service backup via 3G dongle.

- **Quality of Service (QoS)**

The QoS features of the F660 enable service providers to design QoS policies and prioritize mission-critical services such as IPTV and VoIP freely based on their individual service plans. So, service providers could deliver real multi-play applications to users and increase network efficiency.

- **Flexible Management Modes**

Flexible management mode with pure OMCI or OMCI+TR069 dual-management based on TR-142 specification is convenient for operator to deploy rapidly. Operator can manage the ONT with other LAN/DSL uplink CPE with one platform.

- **GPON and XG-PON1 Coexistence**

ITU-T G.984.5 has defined the WBF(Wavelength Block Filter) feature to coexist with XG-PON1 ONT within one ODN network and one feed fiber. Now the optical modules installed in ZXHN F660 have integrated with WBF feature for future-proof evolution.

Tomorrow never waits

Technical Specifications

GPON

- ITU-T G.984/G.988 GPON standards
- Class B+ optical module
- 1.244Gbps burst mode upstream, 2.488Gbps downstream
- Upstream 1310nm, Downstream 1490nm
- Class 1 Laser

Wi-Fi

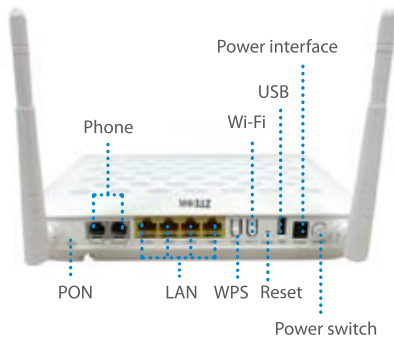
- Frequency: 2.4 GHz
- Two 3dBi gain external antennas
- IEEE 802.11b/g/n MIMO 2x2
- WEP/WPA/WPA2 security(personal)
- Up to four broadcast /hidden SSIDs

VoIP

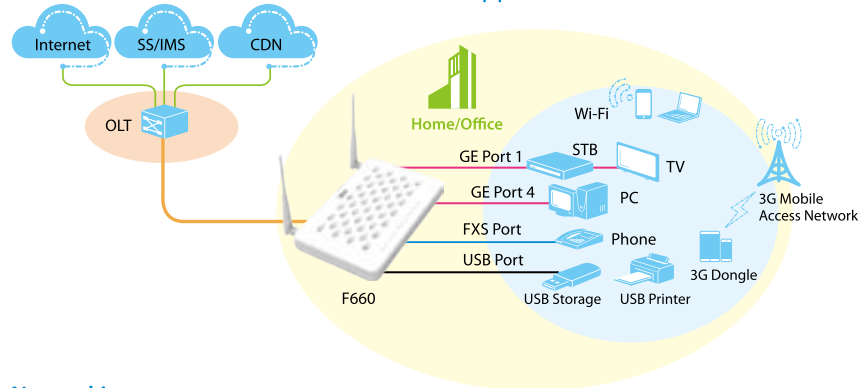
- Number of VoIP accounts: 2
- SIP/H.248
- Codec: G.711 (μ-law and A-law), G.729, G.723
- RTP/RTCP(RFC 1890)
- Echo cancellation
- VAD/CNG
- DTMF
- T.38 FAX
- Caller Identification/Call Waiting/Call Forwarding/Call Transfer/Call Hold/3-way Conference

USB

- DLNA DMS
- File/Printer Sharing
- USB backup/Restore configuration
- 3G dongle



ZXHN F660 Application Scenario



Networking

- IPv4/IPv6 Dual Stack and DS-Lite
- SNTP client
- NAT/ALG
- Static routing/Dynamic routing
- PPPoE Client/Passthrough
- DNS Client/Relay
- DHCP client/server
- IGMP and MLD snooping/proxy

Security

- Traffic filtering based on UNI port, VLAN ID, 802.1p, UNI+802.1p or VLAN+802.1p
- DoS attack defending
- Multiple VPN (IPSec, PPTP) passthrough
- MAC address filtering
- Broadcast/Unicast/Multicast attack protection
- Broadcast packet rate limit
- Dual image for firmware auto rollback

QoS

- Flexible packet classification
- Up to eight queues
- SP/WRR/SP+WRR
- Ingress rate limit
- Egress shaping
- WMM(Wi-Fi Multi Media)

Management

- TR-069 remote management
- OMCI management
- WEB GUI management
- Local built-in diagnostic function
- Logs and statistics
- Remote upgrade by HTTP

Hardware Characteristics

- WAN: one SC/APC connector for GPON
- LAN: four RJ-45 ports for GE interface
- FXS: two RJ-11 ports for VoIP
- USB: one USB 2.0 host interface
- Wi-Fi: 802.11b/g/n(2x2)
- Button: Wi-Fi, WPS, Reset, Power On/Off
- LED status indicators: Power, PON, LOS, Internet, Wi-Fi, Phone1, Phone2, LAN1, LAN2, LAN3, LAN4, WPS, USB

Electrical Characteristics

- Power input: 12V DC
- Power consumption: less than 10W

Physical Characteristics

- Net weight: about 380g
- Dimensions(WxDxH): 220x160x44mm

Environmental Characteristics

- Operating Temperature: 0°C~ 40°C (32°F ~ 104°F)
- Humidity: 5% ~ 95% (non-condensing)

Certification

- CE certification
- Wi-Fi certification

Note: Not every listed feature will be included in the shipping product. We reserve the right to make changes of technical specifications, housing or design without prior notice.

