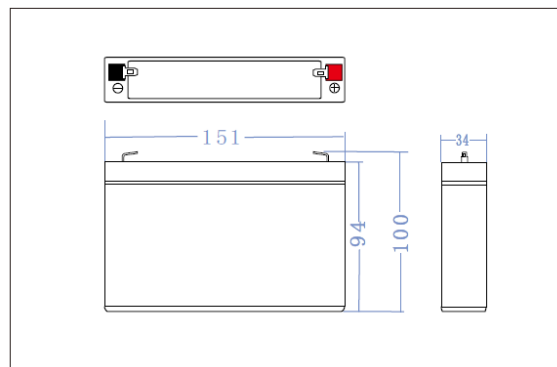


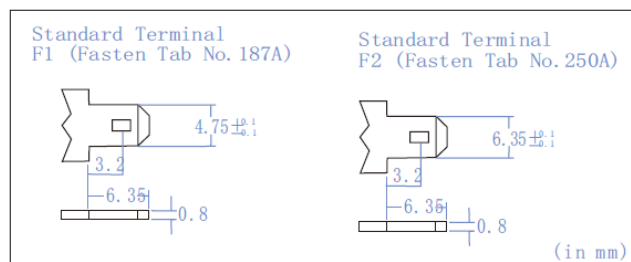
AGM12 6V/7.0Ah



Dimensions (mm)



Terminal Type



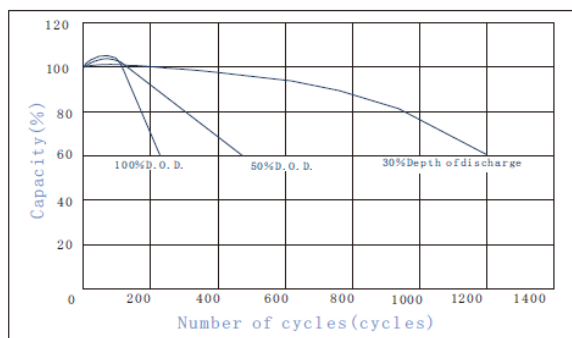
Electrical Specification

| | | |
|---|--------------------------------------|---|
| Capacity 25°C (77° F) | 20hour rate (0.35A) | 7.0Ah |
| | 27min rate (7.0A) | 3.15Ah |
| | 7min rate (21.0A) | 2.45Ah |
| Capacity Affected by Temperature (20hour rate) | 40°C (104° F) | 102% |
| | 25°C (77° F) | 100% |
| | 0°C (32° F) | 85% |
| | -15°C (5° F) | 65% |
| Internal Resistance | full charged battery 77° F (25°C) | 20mΩ |
| Self-Discharge at 25°C (77° F) | Capacity after 3month storage | 91% |
| | Capacity after 6month storage | 82% |
| | Capacity after 12 month storage | 64% |
| Charge (constant Voltage) | Cycle | Initial Charging Current less than 2.1A Voltage 7.20-7.50V |
| | Float | Voltage 6.75-6.90V |

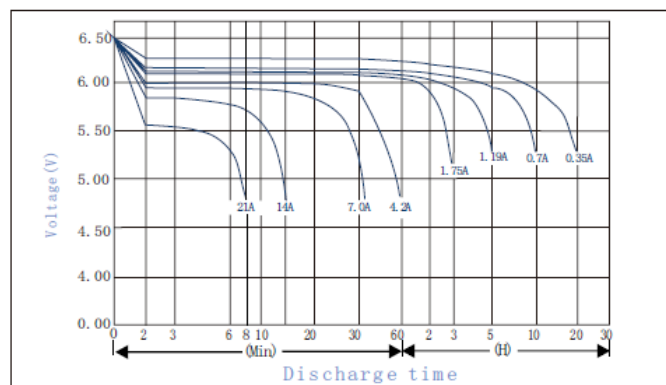
Physical specification

| | | |
|-------------------------|---------------------------|-----------------------|
| Nominal Voltage | 6V | |
| Nominal Capacity (20HR) | 7.0AH | |
| Dimensions | Length | 151±1mm (5.94 inches) |
| | Width | 34±1mm (1.34inches) |
| | Container Height | 94±2mm (3.70inches) |
| | Total height | 100±2mm (3.94inches) |
| Weight | Approx 1.02kg (2.244 lbs) | |
| Standard Terminal | F1/F2 | |

Cycle service life in relation to depth of discharge



Discharge Characteristics after fully charged (25°C, 77°F)



Constant Current (Amp) and Constant Power (watt) Discharge Table at 25°C, (77°F)

| time | | 5min | 10min | 15min | 30min | 1h | 2h | 3h | 4h | 5h | 10h | 20h |
|-------|---|--------|-------|-------|-------|-------|-------|-------|------|------|------|------|
| 4.80V | A | 27.02 | 17.09 | 13.53 | 7.50 | 4.62 | 2.53 | 1.83 | 1.46 | 1.24 | 0.67 | 0.36 |
| | W | 150.83 | 96.27 | 76.88 | 42.97 | 26.71 | 14.71 | 10.71 | 8.63 | 7.36 | 3.97 | 2.16 |
| 4.95V | A | 26.18 | 16.57 | 13.18 | 7.31 | 4.52 | 2.50 | 1.80 | 1.44 | 1.23 | 0.66 | 0.36 |
| | W | 146.19 | 93.35 | 74.92 | 41.90 | 26.11 | 14.55 | 10.55 | 8.51 | 7.28 | 3.96 | 2.15 |
| 5.10V | A | 24.99 | 15.83 | 12.69 | 7.12 | 4.41 | 2.47 | 1.77 | 1.42 | 1.21 | 0.66 | 0.36 |
| | W | 139.59 | 89.24 | 72.16 | 40.83 | 25.52 | 14.40 | 10.39 | 8.39 | 7.20 | 3.95 | 2.14 |
| 5.25V | A | 23.80 | 15.10 | 12.20 | 6.93 | 4.31 | 2.43 | 1.76 | 1.41 | 1.20 | 0.66 | 0.35 |
| | W | 132.99 | 85.13 | 69.40 | 39.76 | 24.92 | 14.16 | 10.31 | 8.31 | 7.12 | 3.94 | 2.09 |
| 5.40V | A | 22.50 | 14.21 | 11.50 | 6.67 | 4.18 | 2.37 | 1.71 | 1.37 | 1.16 | 0.64 | 0.34 |
| | W | 125.76 | 80.14 | 65.44 | 38.29 | 24.20 | 13.83 | 10.03 | 8.11 | 6.87 | 3.82 | 2.05 |