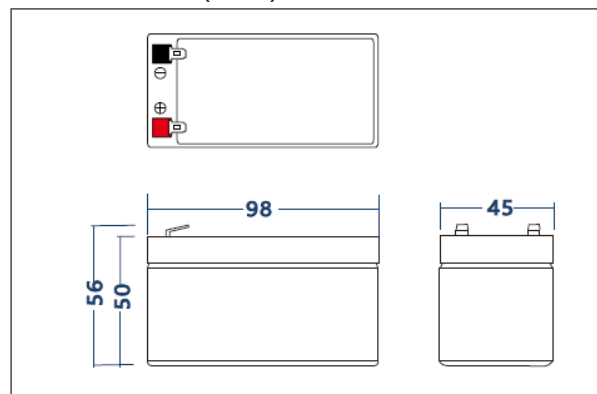


## AGM17

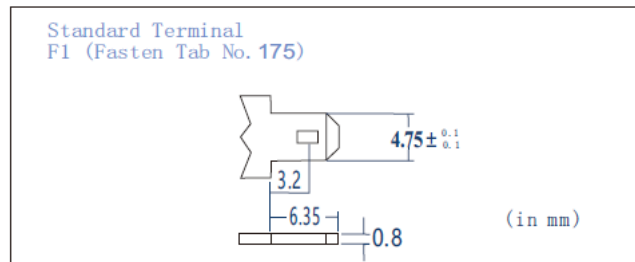
12V/1.2Ah



### Dimensions (mm)



### Terminal Type



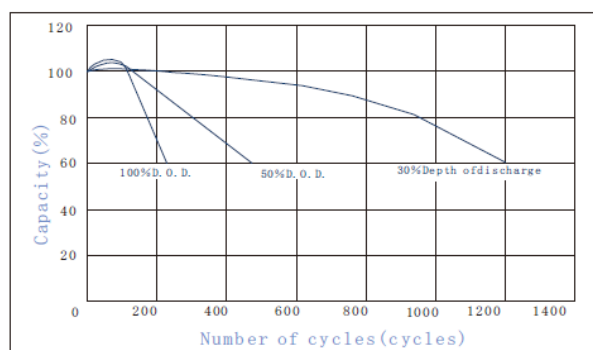
### Electrical Specification

Capacity 25°C (77° F)	20hour rate (0.06A)	1.20Ah
	27min rate (1.2A)	0.54Ah
	7min rate (3.6A)	0.42Ah
Capacity Affected by Temperature (20hour rate)	40°C (104° F)	102%
	25°C (77° F)	100%
	0°C (32° F)	85%
	-15°C ( 5° F)	65%
Internal Resistance	full charged battery 77° F (25°C)	75mΩ
Self-Discharge at 25°C (77° F)	Capacity after 3month storage	91%
	Capacity after 6month storage	82%
	Capacity after 12 month storage	64%
Charge (constant Voltage)	Cycle	Initial Charging Current less than 0.36A Voltage 14.40-14.90V
	Float	Voltage 13.50-13.80V

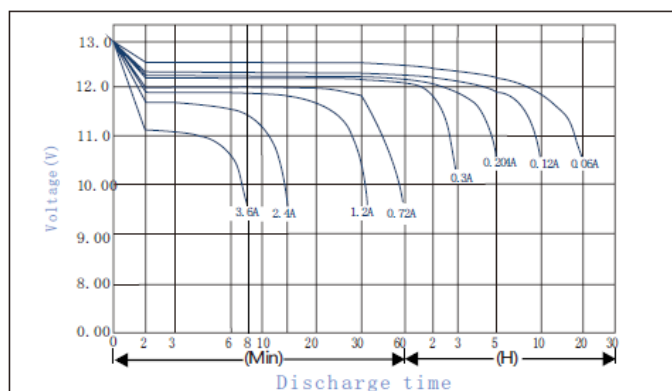
### Physical specification

Nominal Voltage	12V	
Nominal Capacity (20HR)	1.2AH	
Dimensions	Length	98±1mm (3.86 inches)
	Width	45±1mm (1.77 inches)
	Container Height	50±2mm (1.97 inches)
	Total height	56±2mm (2.20 inches)
Weight	Approx 0.5kg (1.1 lbs)	
Standard Terminal	F1	

### Cycle service life in relation to depth of discharge



### Discharge Characteristics after fully charged (25°C, 77°F)



### Constant Current (Amp) and Constant Power (watt) Discharge Table at 25°C, (77°F)

time		5min	10min	15min	30min	1h	2h	3h	4h	5h	10h	20h
9.60V	A	4.63	2.93	2.32	1.29	0.79	0.43	0.31	0.25	0.21	0.11	0.06
	W	51.71	33.01	26.36	14.73	9.16	5.04	3.67	2.96	2.52	1.36	0.74
9.90V	A	4.49	2.84	2.26	1.25	0.77	0.43	0.31	0.25	0.21	0.11	0.06
	W	50.12	32.01	25.69	14.37	8.95	4.99	3.62	2.92	2.50	1.36	0.74
10.20V	A	4.28	2.71	2.18	1.22	0.76	0.42	0.30	0.24	0.21	0.11	0.06
	W	47.86	30.60	24.74	14.00	8.75	4.94	3.56	2.88	2.47	1.35	0.73
10.50V	A	4.08	2.59	2.09	1.19	0.74	0.42	0.30	0.24	0.21	0.11	0.06
	W	45.60	29.19	23.79	13.63	8.54	4.85	3.53	2.85	2.44	1.35	0.72
10.80V	A	3.86	2.44	1.97	1.14	0.72	0.41	0.29	0.24	0.20	0.11	0.06
	W	43.12	27.48	22.44	13.13	8.30	4.74	3.44	2.78	2.36	1.31	0.70