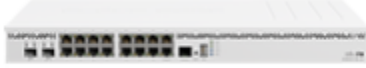



CCR2004-16G-2S+

CCR2004-16G-2S+



Safety Warnings

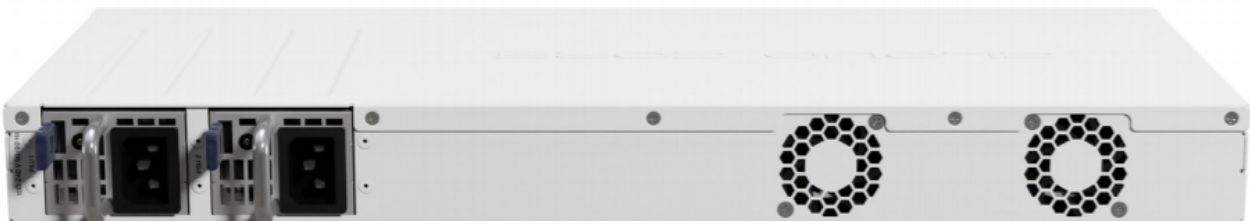
- Before you work on any MikroTik equipment, be aware of the hazards involved with electrical circuitry, and be familiar with standard practices for preventing accidents. The installer should be familiar with network structures, terms, and concepts.
- Use only the power supply and accessories approved by the manufacturer, and which can be found in the original packaging of this product.
- This equipment is to be installed by trained and qualified personnel, as per these installation instructions. The installer is responsible for making sure, that the Installation of the equipment is compliant with local and national electrical codes. Do not attempt to disassemble, repair, or modify the device.
- This product is intended to be installed indoors. Keep this product away from water, fire, humidity, or hot environments.
- We cannot guarantee that no accidents or damage will occur due to the improper use of the device. Please use this product with care and operate at your own risk!
- In the case of device failure, please disconnect it from power. The fastest way to do so is by unplugging the power plug from the power outlet.
- This is a Class A product. In a domestic environment, this product might cause radio interference in which case the user might be required to take adequate measures

 Electric shock hazard. This equipment is to be serviced by trained personnel only

Quick start

- Connect with your computer to the device;
- Download the configuration tool <https://mt.lv/winbox>;
- Open the *Neighbors* tab and connect to the device using MAC address;
- The user name: *admin*, by default there is no password;
- To update the device to the latest software version download the latest RouterOS software from <https://mikrotik.com/download>;
- Choose ARM64 packages, and save them to your computer;
- Return to the WinBox and upload downloaded packages;
- Restart the device.

Powering



The device has dual integrated power supply units AC 100-240V with standard IEC compatible sockets with Maximum power consumption of 48 W.

Configuration

The Ethernet port 1 has a default IP address for connecting: 192.168.88.1. The username is admin and there is no password. The device doesn't have any other configuration applied by default, please set up WAN IP addresses, user password, and update the device. RouterOS includes many configuration options in addition to what is described in this document. We suggest starting here to get yourself accustomed to the possibilities: <https://mt.lv/help>. In case the IP connection is not available, the Winbox tool (<https://mt.lv/winbox>) can be used to connect to the MAC address of the device from the LAN side. For recovery purposes, it is possible to boot the device for reinstallation, see a section [Reset button](#).

Specifications

- Product code CCR2004-16G-2S+
- CPU AL32400 1.7 GHz
- CPU architecture ARM 64bit
- CPU core count 4
- Size of RAM 4 GB
- RAM type DDR4
- Storage 128 MB, NAND
- Number of 1G Ethernet ports 16
- Number of 10G SFP+ ports 2
- USB port 1 (3.0 type A)
- Operating system RouterOS (License level 6)
- Switch chip model 88E6191X, 88E619X
- Dimensions 443 x 210 x 44 mm
- Operating temperature -20°C to +60°C

Reset button

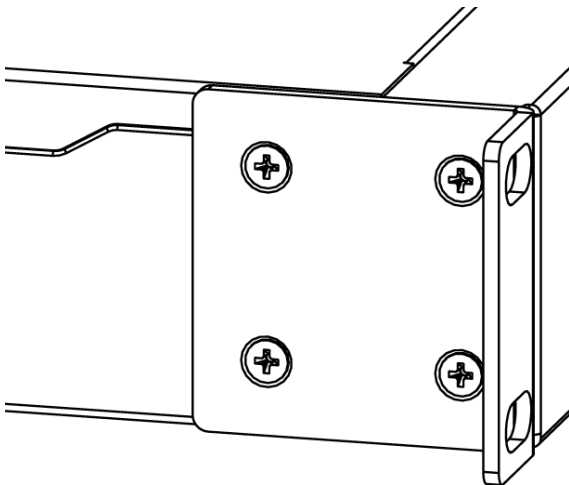
The reset button has two functions:

- Hold this button during boot time until LED light starts flashing, release the button to reset RouterOS configuration.
- Or Keep holding the button for 5 more seconds until LED turns off, then release it to make the RouterBOARD look for Netinstall servers.

Regardless of the above option used, the system will load the backup RouterBOOT loader if the button is pressed before power is applied to the device. Useful for RouterBOOT debugging and recovery.

Mounting

The device is designed to use indoors and it can be mounted in a rackmount enclosure using provided rack mounts, or it can be placed on the desktop. Use a Phillips screwdriver to attach rackmount ears on both sides of the device if designated use is for rackmount enclosure:



1. Attach rack ears to both sides of the device and tighten four screws to secure them in place, as shown on the picture to the right;
2. Place the device in rackmount enclosure and align with the holes so that the device fits conveniently;

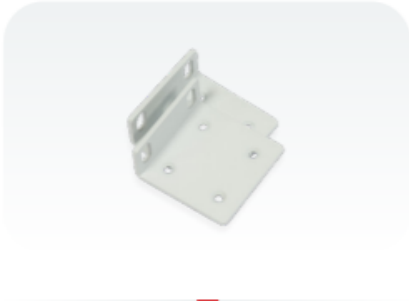
3. Tighten screws to secure it in place.

The device has no protection from water contamination, please ensure the placement of the device in a dry and ventilated environment. We recommend Cat6 cables for our devices.

Included Parts



2 Power
cords



Rackmount
bracket white



Fastening
set

- PLUG1-2_ EU/US power cord, JL3-JL38C (D03+QT3) H05VV-F 3x0.75mm² 1.83m
- SET1_ Fastening set K-57
- CASE3-4_ 1U rackmount bracket white

Operating System Support

The device supports RouterOS software with version number v7.0.4 at or above what is indicated in the RouterOS menu /system resource. Other operating systems have not been tested.

Federal Communication Commission Interference Statement

This equipment has been tested and found to comply with the limits for a Class A digital device, pursuant to Part 15 of the FCC Rules. These limits are designed to provide reasonable protection against harmful interference in a commercial installation.



This equipment generates, uses, and can radiate radio frequency energy and, if not installed and used in accordance with the instruction manual, may cause harmful interference to radio communications. Operation of this equipment in a residential area is likely to cause harmful interference in which case the user will be required to correct the interference at his own expense

FCC Caution: Any changes or modifications not expressly approved by the party responsible for compliance could void the user's authority to operate this equipment.

This device complies with Part 15 of the FCC Rules. Operation is subject to the following two conditions: (1) This device may not cause harmful interference, and (2) this device must accept any interference received, including interference that may cause undesired operation.

Note: This unit was tested with shielded cables on the peripheral devices. Shielded cables must be used with the unit to ensure compliance.

Innovation, Science and Economic Development Canada

This device contains license-exempt transmitter(s)/receiver(s) that comply with Innovation, Science, and Economic Development Canada's license-exempt RSS(s). Operation is subject to the following two conditions: (1) This device may not cause interference. (2) This device must accept any interference, including interference that may cause undesired operation of the device.

L'émetteur/récepteur exempt de licence contenu dans le présent appareil est conforme aux CNR d'Innovation, Sciences et Développement économique Canada applicables aux appareils radio exempts de licence. L'exploitation est autorisée aux deux conditions suivantes : 1) L'appareil ne doit pas produire de brouillage; 2) L'appareil doit accepter tout brouillage radioélectrique subi, même si le brouillage est susceptible d'en compromettre le fonctionnement.

This Class A digital apparatus complies with Canadian ICES-003.

Cet appareil numérique de la classe [A] est conforme à la norme NMB-003 du Canada.

CAN ICES-003 (A) / NMB-003 (A)

CE Declaration of Conformity

BG	C настоящото Mikrotikls SIA декларира, че този тип радиосъоръжение CCR2004-16G-2S+ е в съответствие с Директива 2014/30/ЕС. Цялостният текст на ЕС декларацията за съответствие може да се намери на следния интернет адрес: https://mikrotik.com/products
CS	Tímto Mikrotikls SIA prohlašuje, že typ rádiového zařízení CCR2004-16G-2S+ je v souladu se směrnicí 2014/30/EU. Úplné znění EU prohlášení o shodě je k dispozici na této internetové adrese: https://mikrotik.com/products
DA	Hermed erklærer Mikrotikls SIA, at radioudstyrstypen CCR2004-16G-2S+ er i overensstemmelse med direktiv 2014/30/EU. EU-overensstemmelseserklæringens fulde tekst kan findes på følgende internetadresse: https://mikrotik.com/products
DE	Hiermit erkläre Mikrotikls SIA, dass der Funkanlagentyp CCR2004-16G-2S+ der Richtlinie 2014/30/EU entspricht. Der vollständige Text der EU-Konformitätserklärung ist unter der folgenden Internetadresse verfügbar: https://mikrotik.com/products
EL	Με την παρούσα ο/η Mikrotikls SIA, δηλώνει ότι ο ραδιοεξοπλισμός CCR2004-16G-2S+ πληροί την οδηγία 2014/30/ΕΕ. Το πλήρες κείμενο της δήλωσης συμμόρφωσης ΕΕ διατίθεται στην ακόλουθη ιστοσελίδα στο διαδίκτυο: https://mikrotik.com/products
EN	Hereby, Mikrotikls SIA declares that the radio equipment type CCR2004-16G-2S+ is in compliance with Directive 2014/30/EU. The full text of the EU declaration of conformity is available at the following internet address: https://mikrotik.com/products
ES	Por la presente, Mikrotikls SIA declara que el tipo de equipo radioeléctrico CCR2004-16G-2S+ es conforme con la Directiva 2014/30/UE. El texto completo de la declaración UE de conformidad está disponible en la dirección Internet siguiente: https://mikrotik.com/products
ET	Käesolevaga deklareerib Mikrotikls SIA, et käesolev raadioseadme tüüp CCR2004-16G-2S+ vastab direktiivi 2014/30/EL nõuetele. ELi vastavusdeklaratsiooni täielik tekst on kättesaadav järgmisel internetiaadressil: https://mikrotik.com/products
FI	Mikrotikls SIA vakuuttaa, että radiolaitetyypin CCR2004-16G-2S+ on direktiivin 2014/30/EU mukainen. EU-vaatimustenmukaisuusvakuutuksen täysimittainen teksti on saatavilla seuraavassa internetosoitteessa: https://mikrotik.com/products
FR	Le soussigné, Mikrotikls SIA, déclare que l'équipement radioélectrique du type CCR2004-16G-2S+ est conforme à la directive 2014/30/UE. Le texte complet de la déclaration UE de conformité est disponible à l'adresse internet suivante: https://mikrotik.com/products
HR	Mikrotikls SIA ovime izjavljuje da je radijska oprema tipa CCR2004-16G-2S+ u skladu s Direktivom 2014/30/EU. Cjeloviti tekst EU izjave o sukladnosti dostupan je na sljedećoj internetskoj adresi: https://mikrotik.com/products
HU	Mikrotikls SIA igazolja, hogy a CCR2004-16G-2S+ típusú rádióberendezés megfelel a 2014/30/EU irányelvnek. Az EU-megfelelőségi nyilatkozat teljes szövege elérhető a következő internetes címen: https://mikrotik.com/products
IT	Il fabbricante, Mikrotikls SIA, dichiara che il tipo di apparecchiatura radio CCR2004-16G-2S+ è conforme alla direttiva 2014/30/UE. Il testo completo della dichiarazione di conformità UE è disponibile al seguente indirizzo Internet: https://mikrotik.com/products
IS	Hér með lýsir Mikrotikls SIA því yfir að CCR2004-16G-2S+ er í samræmi við grunnkröfur og aðrar kröfur, sem gerðar eru í tilskipun 2014/30/EU. Fullur texti ESB samræmisýfirlýsingar er að finna á eftirfarandi veffangi: https://mikrotik.com/products
LT	Aš, Mikrotikls SIA, patvirtinu, kad radijo įrenginių tipas CCR2004-16G-2S+ atitinka Direktyvą 2014/30/ES. Visas ES atitikties deklaracijos tekstas prieinamas šiuo interneto adresu: https://mikrotik.com/products
LV	Ar šo Mikrotikls SIA deklarē, ka radioiekārta CCR2004-16G-2S+ atbilst Direktīvai 2014/30/ES. Pilns ES atbilstības deklarācijas teksts ir pieejams šādā interneta vietnē: https://mikrotik.com/products
MT	B'dan, Mikrotikls SIA, niddikjara li dan it-tip ta' tagħmir tar-radju CCR2004-16G-2S+ huwa konformi mad-Direttiva 2014/30/UE. It-test kollu tad-dikjarazzjoni ta' konformità tal-UE huwa disponibbli f'dan l-indirizz tal-Internet li ġej: https://mikrotik.com/products
NL	Hierbij verklaar ik, Mikrotikls SIA, dat het type radioapparatuur CCR2004-16G-2S+ conform is met Richtlijn 2014/30/EU. De volledige tekst van de EU-conformiteitsverklaring kan worden geraadpleegd op het volgende internetadres: https://mikrotik.com/products
NO	Mikrotikls SIA erklærer herved at utstyret CCR2004-16G-2S+ er i samsvar med de grunnleggende krav og øvrige relevante krav i direktiv 2014/30/UE. Den fulle teksten til EU-samsvarserklæringen er tilgjengelig på følgende internetadresse: https://mikrotik.com/products
PL	Mikrotikls SIA niniejszym oświadcza, że typ urządzenia radiowego CCR2004-16G-2S+ jest zgodny z dyrektywą 2014/30/UE. Pełny tekst deklaracji zgodności UE jest dostępny pod następującym adresem internetowym: https://mikrotik.com/products

PT	O(a) abaixo assinado(a) Mikrofikls SIA declara que o presente tipo de equipamento de rádio CCR2004-16G-2S+ está em conformidade com a Diretiva 2014/30/UE. O texto integral da declaração de conformidade está disponível no seguinte endereço de Internet: https://mikrotik.com/products
RO	Prin prezenta, Mikrofikls SIA declară că tipul de echipamente radio CCR2004-16G-2S+ este în conformitate cu Directiva 2014/30/UE. Textul integral al declaraiei UE de conformitate este disponibil la următoarea adresă internet: https://mikrotik.com/products
SK	Mikrofikls SIA týmto vyhlasuje, že rádiové zariadenie typu CCR2004-16G-2S+ je v súlade so smernicou 2014/30/EÚ. Úplné EÚ vyhlásenie o zhode je k dispozícii na tejto internetovej adrese: https://mikrotik.com/products
SL	Mikrofikls SIA potrjuje, da je tip radijske opreme CCR2004-16G-2S+ skladen z Direktivo 2014/30/EU. Celotno besedilo izjave EU o skladnosti je na voljo na naslednjem spletnem naslovu: https://mikrotik.com/products
SV	Härmed försäkrar Mikrofikls SIA att denna typ av radioutrustning CCR2004-16G-2S+ överensstämmer med direktiv 2014/30/EU. Den fullständiga texten till EU-försäkran om överensstämmelse finns på följande webbadress: https://mikrotik.com/products

(EN) Technical Specifications / (DE) Technische Spezifikationen / (FR) Spécifications techniques /

(IT) Specifiche tecniche / (ES) Especificaciones técnicas / (RU) Технические характеристики:

Product Power Input Options	Degrees of protection provided by enclosure (IP Code)	Operating Temperature
2 AC inputs = 100-240 V AC DC Jack = 36-60 V DC 2-pin terminal = 36-60 V DC	IP20	-0°..+60°C